

# Rim Cylinder



## Application

Compatible with residential and commercial surface mounted door locksets. Interfaces with locksets of major brands. Suits wide range of lock mechanisms.

## Operation

360° rotation by operating key.

## Materials

Body and plug: high quality brass  
Tail: steel  
Pins: nickel silver and stainless steel

## Standard finish

Nickel chrome matt, nickel chrome, shiny brass

## Special finishes

Antique bronze, black, antique brass, PVD

## Cylinder mechanism

Mul-T-Lock's unique, high precision pin tumbler system. Pick and drill resistant for High Security needs.

## Keys

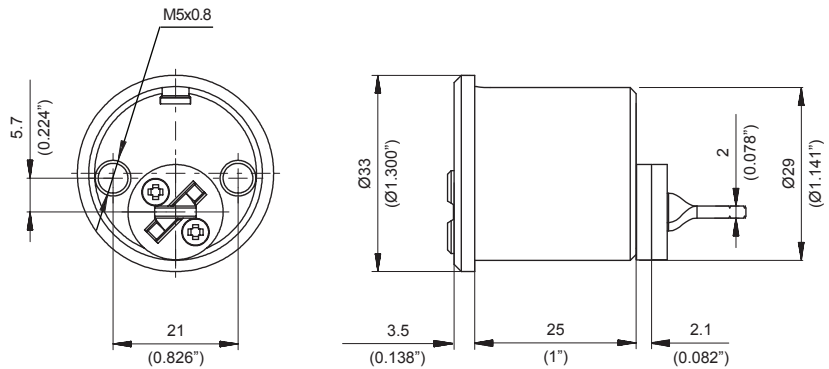
Reversible nickel silver key with plastic key head and colored insert. Also available in all nickel silver.

## Cylinder options

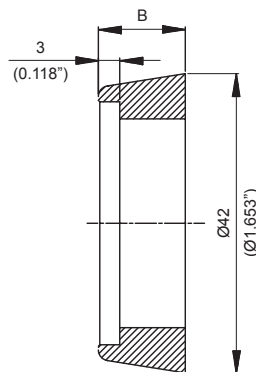
- Classic, Interactive®, MT5® platforms
- '3 IN 1' (changeable combination)
- Keyed different, keyed alike
- Master keyed
- Variety of tails

## Standards

ISI950



## Spacer ring



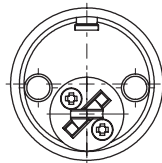
B	
mm	Inch
Flat ring**	
5.7*	0.224*
8.9	0.350
12.2	0.480
15.5	0.610

\*Supplied as standard

\*\*For rim application

## Tail options

Horizontal tail  
P/N 86000005



Vertical tail  
P/N 86000014

