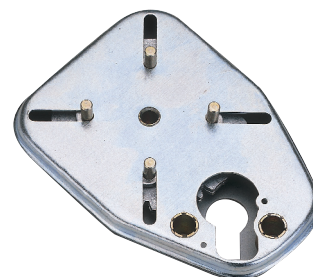


# 4-Way Locks 231, 232



## Application

Installed inside wood or metal doors to provide 4-way multi-bolt locking.

## Operation

360° key rotation for deadbolt action.

## Options

- Left Hand model 231
- Right Hand model 232
- Hardware colors: white, brown, shiny brass, nickel chrome

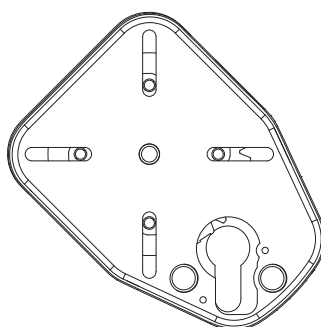
## Materials

Case and mechanism: steel

Bolts: steel (optional hardened)

Cylinder protector: hardened steel

231 Left



232 Right

